

PRODUCT INFORMATION PACKET

Model No: 143TTDR16006

Catalog No: GT2503

1.50 HP Close-Coupled Pump Motor, 3 phase, 3600 RPM, 575 V, 143JP Frame, ODP
JP Motors



Regal and Marathon are trademarks of Regal Beloit Corporation or one of its affiliated companies.
©2021 Regal Beloit Corporation, All Rights Reserved. MC017097E

REGAL

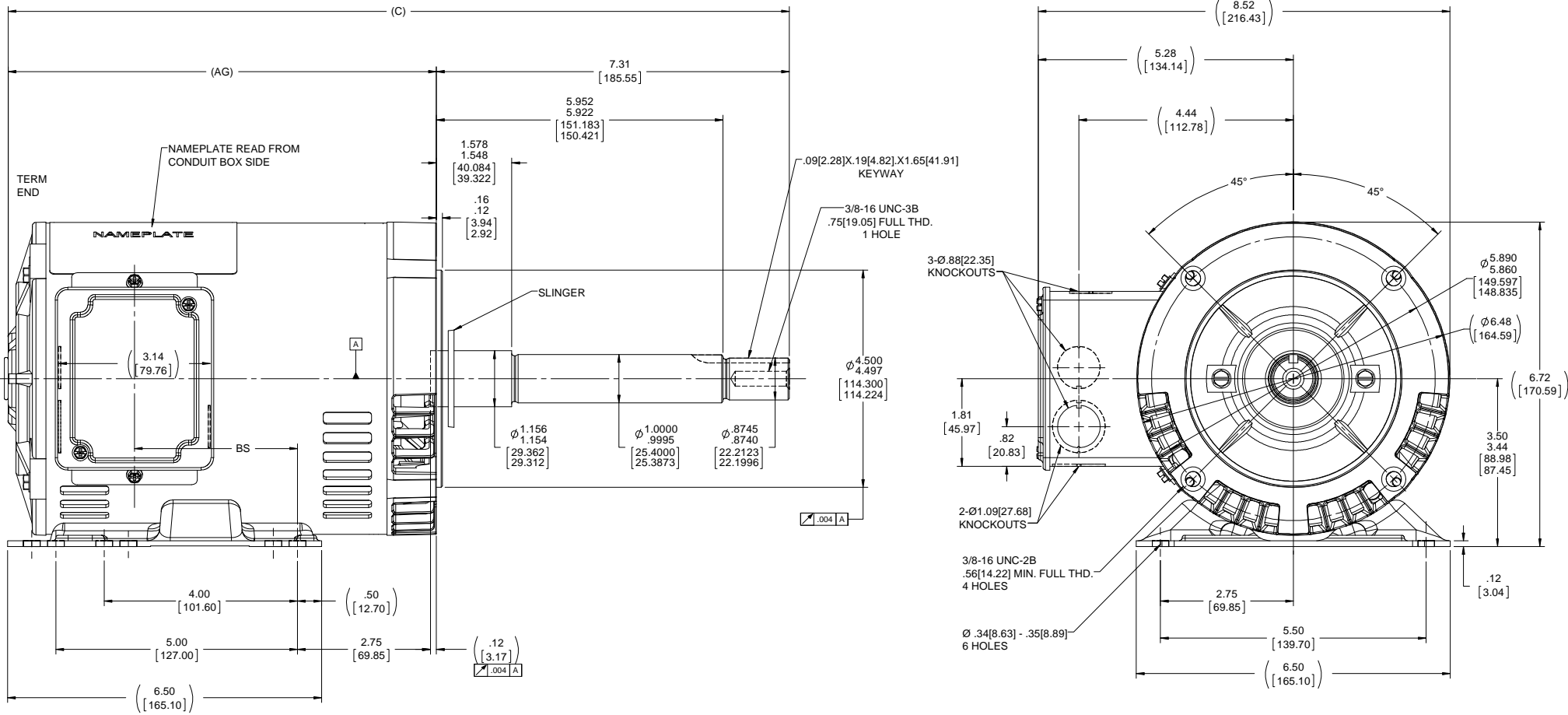
Nameplate Specifications

Output HP	1.50 Hp	Output KW	1.1 kW
Frequency	60 Hz	Voltage	575 V
Current	1.5 A	Speed	3515 rpm
Service Factor	1.15	Phase	3
Efficiency	86.5 %	Power Factor	84
Duty	Continuous	Insulation Class	F
Design Code	B	KVA Code	L
Frame	143JP	Enclosure	Drip Proof
Thermal Protection	No	Ambient Temperature	40 °C
Drive End Bearing Size	6206	Opp Drive End Bearing Size	6203
UL	Recognized	CSA	Y
CE	Y	IP Code	22

Technical Specifications

Electrical Type	Squirrel Cage Inverter Rated	Starting Method	Line Or Inverter
Poles	2	Rotation	Reversible
Resistance Main	9.08 Ohms	Mounting	Rigid Base
Motor Orientation	Horizontal	Drive End Bearing	Ball
Opp Drive End Bearing	Ball	Frame Material	Rolled Steel
Shaft Type	JP	Overall Length	17.68 in
Frame Length	8.56 in	Shaft Diameter	0.875 in
Shaft Extension	7.31 in	Assembly/Box Mounting	F1 ONLY
Outline Drawing	A-100132-856	Connection Drawing	A-EE7300

This is an uncontrolled document once printed or downloaded and is subject to change without notice. Date Created:20/01/2021



DASH NO.	"C"	"AG"	"BS"
706	16.17[410.71]	8.87[225.29]	3.37[85.59]
756	16.67[423.41]	9.37[237.99]	3.87[98.29]
806	17.17[436.11]	9.87[250.69]	4.37[110.99]
856	17.67[448.81]	10.37[263.39]	4.87[123.69]
906	18.17[461.51]	10.87[276.09]	5.37[136.39]

NOTES:
CONDUIT BOX CAN BE ROTATED IN 180° STEPS.

DRAWING REVISION ECO-0143026	REVISION BY A. KEETHA PST	DATE 04/11/2018	TOLERANCES UNLESS OTHERWISE SPECIFIED FRACTIONS DECIMALS ANGLES X .01 .001 17 30" X .001 .0005 16 00" XXXX .00005 (S1/12) XXXX .00005 (S1/12) MACHINE SURFACES & BREAK SHARP EDGES .0002(15) (S1/12) X 45° CORNER RADIUS: R.01 (S1) MACHINED SURFACES: 100/10 FINISH: 100/10 FIN. SHOWN IN BRACKETS	DRAWN BY BRH	DATE 11/02/1995	APPROVED BY GK	DESCRIPTION 140 FR.-BB-DR-PR-.38-C-FACE-3P-EXT.		
OUTLINE CONVERSION PROJECT THIS DRAWING IS THE PROPERTY OF REGAL BELLOI AMERICA, INC. IT IS TO BE USED ONLY FOR THE PURPOSES SPECIFIED HEREON. IT IS NOT TO BE REPRODUCED, COPIED, OR TRANSMITTED IN ANY FORM OR BY ANY MEANS, ELECTRONIC OR MECHANICAL, INCLUDING PHOTOCOPYING, RECORDING, OR BY ANY INFORMATION STORAGE AND RETRIEVAL SYSTEM, WITHOUT THE WRITTEN PERMISSION OF REGAL BELLOI AMERICA, INC.				DATE 11/02/1995	MATERIAL 140 FR.-BB-DR-PR-.38-C-FACE-3P-EXT.	REFERENCE THIRD ANGLE PROJECTION	SIZE D	DRAWING NUMBER 100132	SHEET 1 OF 1

**THREE PHASE - SINGLE VOLTAGE
MOTOR - CONDUIT BOX @ 'A'**

**TO REVERSE ROTATION:
INTERCHANGE ANY TWO
LINE LEAD CONNECTIONS.**

TERMINAL BLOCK WHEN SPECIFIED



VIEW OF TERMINAL END

**IF MOTOR HAS
6 LEADS**



A-9806 DECAL

**OPTIONAL CORD
CONNECTION**



DRAWING REVISION AB	REVISION BY JJB	DATE 06-27-2017
ECO ECO-0125361	APPROVED BY TB	DATE 06-27-2017
ECO DESCRIPTION UPDATED TO CURRENT STANDARDS		
<small>COPYRIGHT REGAL BELOIT AMERICA, INC. ALL RIGHTS RESERVED. PROPRIETARY AND CONFIDENTIAL INFORMATION - THIS DOCUMENT IS THE PROPERTY OF REGAL BELOIT AMERICA, INC. ("OWNER") AND CONTAINS OWNER'S PROPRIETARY INFORMATION. ANY PERSON, CORPORATION OR OTHER FIRM RECEIVING IT IS DEEMED, BY RECEIVING IT, TO AGREE THAT IT, AND/OR ANY PART OF IT, SHALL NOT BE DISCLOSED TO ANY PERSON, CORPORATION OR OTHER ENTITY, DUPLICATED, AND/OR USED, EXCEPT AS EXPRESSLY APPROVED IN WRITING IN ADVANCE BY OWNER. THIS DOCUMENT SHALL BE RETURNED TO OWNER UPON REQUEST. IT MAY BE SUBJECT TO CERTAIN RESTRICTIONS UNDER APPLICABLE EXPORT CONTROL LAWS AND REGULATIONS.</small>		



DRAWN BY DA
DATE 03-26-1993
APPROVED BY TB
DATE 03-26-1993
REFERENCE
THIRD ANGLE PROJECTION

Regal Beloit America, Inc.		
		DESCRIPTION CONNECTION DIAGRAM EXTERNAL - SINGLE VOLTAGE - 3Ø MOTOR
MATERIAL	PROCESS/FINISH	
SIZE A	DRAWING NUMBER EE7300	SHEET 1 OF 1

CERTIFICATION DATA SHEET

Model#: 143TTDR16006 AA WINDING#: ZT2168 DR 4
 CONN. DIAGRAM: A-EE7300 ASSEMBLY: F1 ONLY
 OUTLINE: A-100132-856

TYPICAL MOTOR PERFORMANCE DATA

HP	KW	SYNC. RPM	F.L. RPM	FRAME	ENCLOSURE	KVA CODE	DESIGN
1 1/2	1.12	3600	3515	143JP	DP	L	B

PH	Hz	VOLTS	FL AMPS	START TYPE	DUTY	INSL	S.F	AMB°C	ELEVATION
3	60	575	1.5	LINE OR INVERTER	CONTINUOUS	F3	1.15	40	3300

FULL LOAD EFF: 86.5	3/4 LOAD EFF: 88.3	1/2 LOAD EFF: 86.6	GTD. EFF	ELEC. TYPE	NO LOAD AMPS
FULL LOAD PF: 84	3/4 LOAD PF: 78.7	1/2 LOAD PF: 67.6	84	SQ CAGE INV RATED	.7

F.L. TORQUE	LOCKED ROTOR AMPS	L.R. TORQUE	B.D. TORQUE	F.L. RISE°C
2.25 LB-FT	14.9	6.8 LB-FT 302	10 LB-FT 444	20

SOUND PRESSURE @ 3 FT.	SOUND POWER	ROTOR WK^2	MAX. WK^2	SAFE STALL TIME	STARTS /HOUR	APPROX. MOTOR WGT
68 dBA	78 dBA	0 LB-FT^2	0 LB-FT^2	10 SEC.	0	0 LBS.

*** SUPPLEMENTAL INFORMATION ***

DE BRACKET TYPE	ODE BRACKET TYPE	MOUNT TYPE	ORIENTATION	SEVERE DUTY	HAZARDOUS LOCATION	DRIP COVER	SCREENS	PAINT
C-FACE	STANDARD	RIGID	HORIZONTAL	FALSE	NONE	PROVISIONS ONLY	NONE	BLUE (POWDER)

BEARINGS		GREASE	SHAFT TYPE	SPECIAL DE	SPECIAL ODE	SHAFT MATERIAL	FRAME MATERIAL
DE	OPE						
BALL	BALL	POLYREX EM	JP	NONE	NONE	1144 STRESSPROOF (C-223)	ROLLED STEEL
6206	6203						

THERMO-PROTECTORS				THERMISTORS	CONTROL	SPACE /n HEATERS
THERMOSTATS	PROTECTORS	WDG RTDs	BRG RTDs			
NONE	NOT	NONE	NONE	NONE	FALSE	NONE VOLTS

If Inverter equals NONE, contact factory for further information

*
N
O
T
E
S
*

INVERTER TORQUE: CONSTANT 2:1
INV. HP SPEED RANGE: NONE
ENCODER: NONE
NONE NONE
NONE NONE PPR
BRAKE: NONE NONE
NONE P/N NONE
NONE NONE
- FT-LB NONE V NONE Hz

DATE: 06/22/2017 05:55:17 AM
 FORM 3531 REV.3 02/07/99
 ** Subject to change without notice.

Data Sheet

Date: 6/19/2017

143TDR16006

Customer: _____
Attention: _____



Submital
Data @ 575 V

Submitted by: FAREEDA DUDEKULA

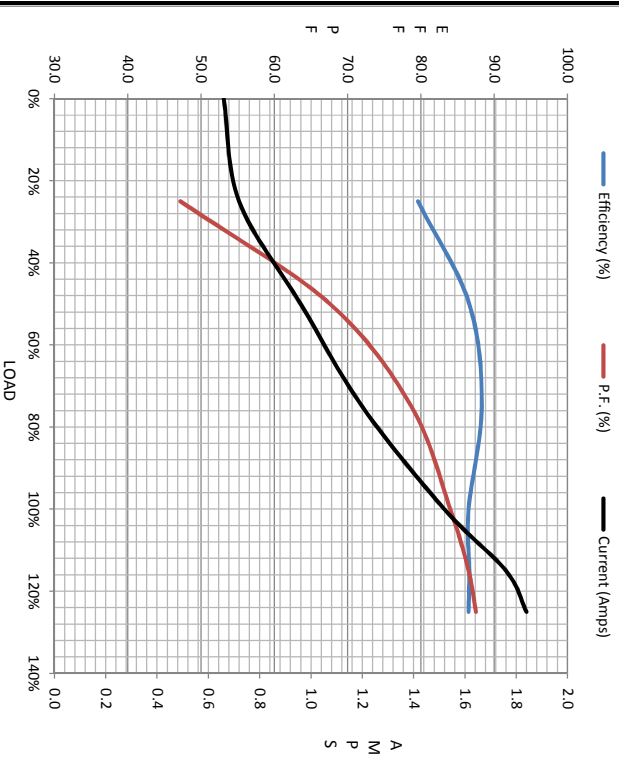
Load	Motor Load Data						
	0%	25%	50%	75%	100%	115%	125%
Current (Amps)	0.66	0.72	0.96	1.20	1.52	1.76	1.84
Torque (ft-lb)	0.00	0.55	1.10	1.68	2.25	2.60	2.80
RPM	3600	3580	3560	3540	3515	3505	3495
Efficiency (%)		79.6	86.6	88.3	86.5	86.5	86.5
P.F. (%)	14.3	47.2	67.6	78.7	84.0	86.5	87.5

Motor Speed Data

	LR	Pull-Up	BD	Rated	Idle
Speed (rpm)	0	215	2700	3515	3600
Current (Amps)	14.9	15.0	9.4	1.52	0.66
Torque (ft-lb)	6.8	5.7	10.0	2.25	0.00

Information Block

HP	1.5
Sync. RPM	3600
Frame	143
Enclosure	DP
Construction	TDR
Voltage	575 V
Frequency	60 HZ
Design	A
LR Code letter	L
Service Factor	1.15
Temp Rise @ FL	20 °C
Duty	CONT
Ambient	40 °C
Elevation	1,000 feet
Rotor/Shaft wkt	0.00 Lb-Fe
Ret Wdg	Z1Z168 DR
Sound Pressure @ 1M	68 dBA
VFD Rating	CONSTANT 2:1
Outline Dwg	A-100132-856
Conn. Diag	A-EF7300
Additional Specifications:	
0	



EQUIV CKT (OHMS/ PHASE)

R1	R2	X1	X2	Xm
8.2730	5.9090	14.4780	14.7730	561.3910

Speed -Torque Curve

